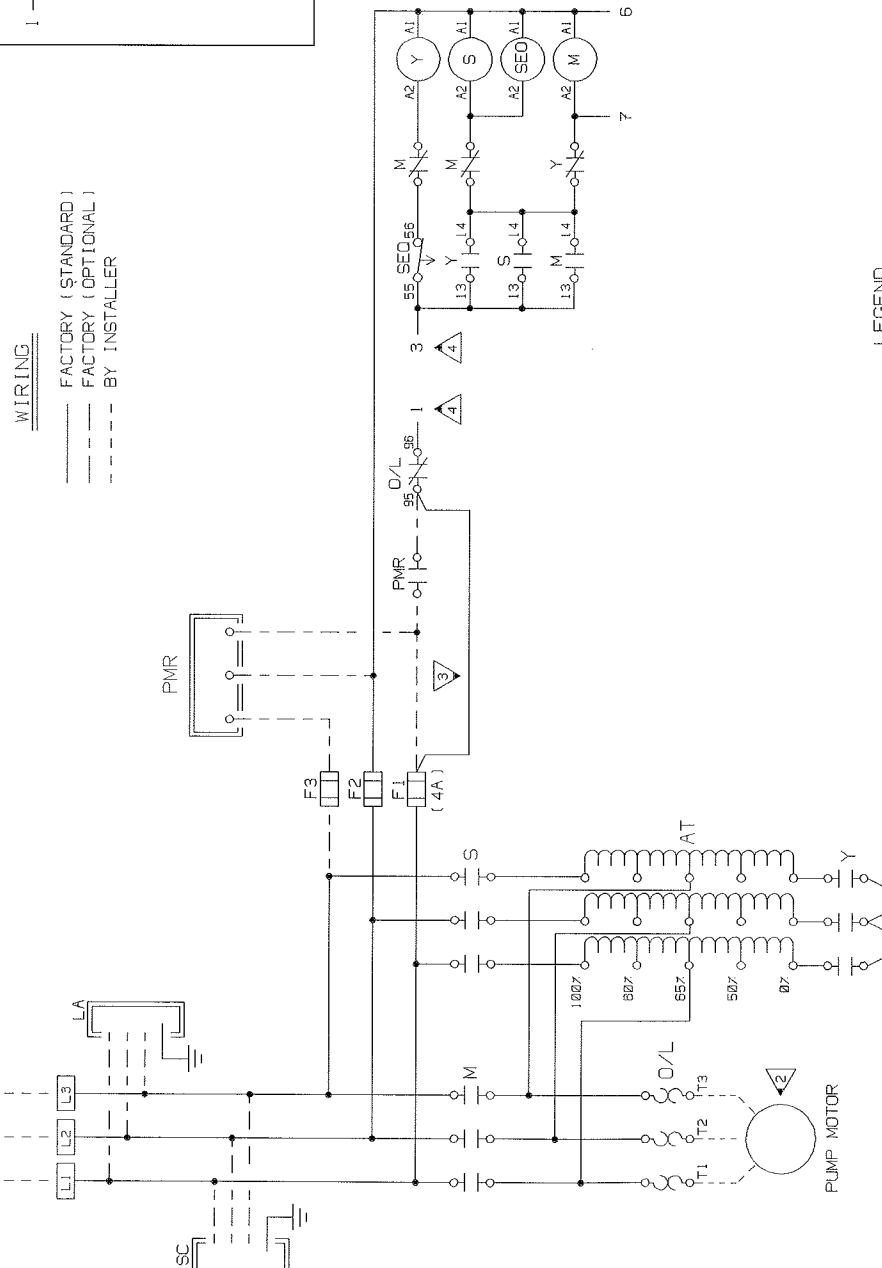


460V-3PH-3W-60HZ
OR
230V-3PH-3W-60HZ
L1 L2 L3



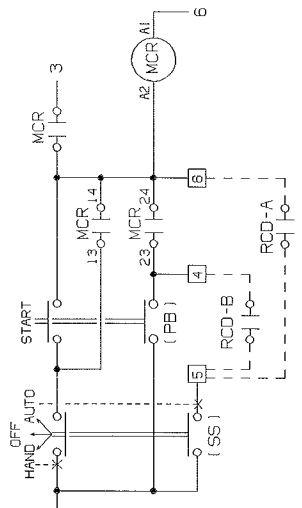
WIRING
 ——— FACTORY (STANDARD)
 - - - FACTORY (OPTIONAL)
 - - - BY INSTALLER

- LEGEND**
- AT AUTOTRANSFORMER
 - F FUSE
 - LA LIGHTNING ARRESTOR
 - M MAGNETIC CONTACTOR (RUN)
 - MCR MASTER CONTROL RELAY
 - O/L OVERLOAD RELAY
 - PB PUSHBUTTON
 - PMR PHASE MONITOR RELAY
 - RCD REMOTE CONTROL DEVICE
 - S MAGNETIC CONTACTOR (START)
 - SC SURGE CAPACITOR
 - SEO SEQUENCER
 - SS SELECTOR SWITCH
 - Y MAGNETIC CONTACTOR (STAR)

- NOTES**
- 1 REFER TO RATING LABEL FOR DESIGNED ACCEPTABLE SUPPLY VOLTAGE.
 - 2 REFER TO RATING LABEL FOR CONTROL PANEL RATED HORSEPOWER.
 - 3 REMOVE THIS WIRE WHEN OPTIONAL PMR IS INSTALLED.
 - 4 CONNECTED TO RESPECTIVE NUMBERS WITHIN RELATED CONTROL OPTION.
 - 5 BRANCH CIRCUIT PROTECTION (PER NATION ELECTRICAL CODE) TO BE SUPPLIED AND INSTALLED BY OTHERS.

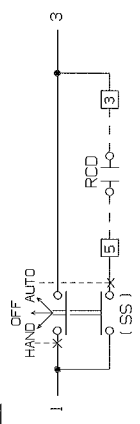
CONTROL OPTIONS

HOA W/START-BYPASS PB

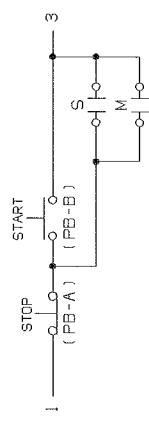


AUTOMATIC OPERATION	
#A	OPEN RCD TO STOP PUMP CLOSE RCD TO RE-START PUMP
#B	OPEN RCD TO STOP PUMP CLOSING RCD WILL NOT RE-START PUMP

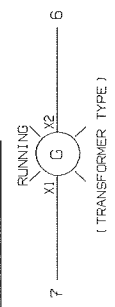
HOA



START-STOP



PILOT LIGHT, "RUNNING"



SELECTRIC INC.
UMATILLA, OREGON

SCALE: 0	DESIGNED BY: RM	DRAWN BY: CAJ	DATE: 6-12-90
PUMP CONTROL PANEL NON-COMBINATION, TYPE "PAL-3" WITH OPTIONS (LA, SC, PMR & PILOT DEVICES)			
PROJECT:	DRAWING NO: SMT_NCR_REV		
CUSTOMER:	3LS-111-019 OF -		