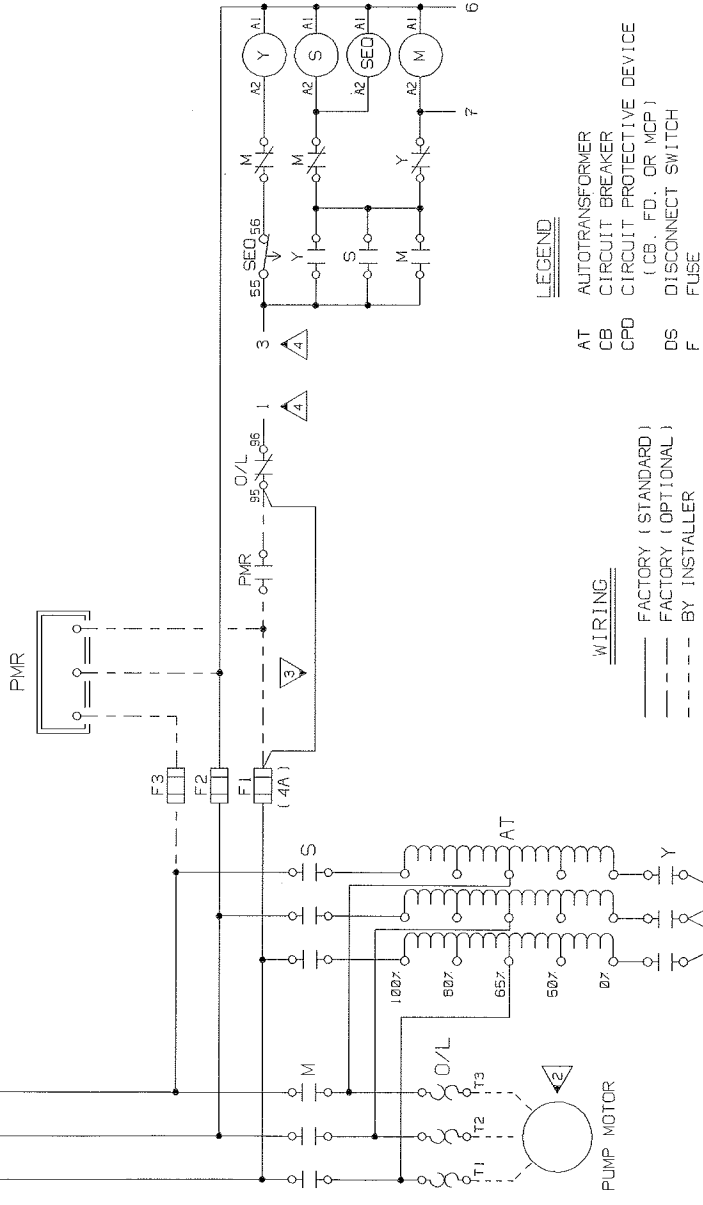
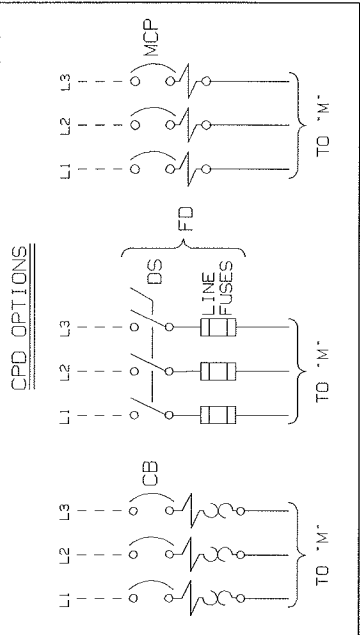
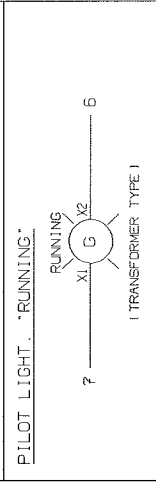
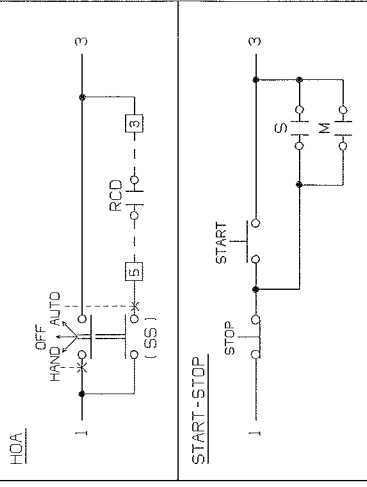


RCD	AUTOMATIC OPERATION
#A	OPEN RCD TO STOP PUMP CLOSE RCD TO RE-START PUMP
#B	OPEN RCD TO STOP PUMP CLOSING RCD WILL NOT RE-START PUMP



- ### LEGEND
- AT AUTOTRANSFORMER
 - CB CIRCUIT BREAKER
 - CPD CIRCUIT PROTECTIVE DEVICE (CB, FD, OR MCP)
 - DS DISCONNECT SWITCH
 - F FUSE
 - FD FUSIBLE DISCONNECT
 - LA LIGHTNING-ARRESTOR
 - M MAGNETIC CONTACTOR (RUN)
 - MCP MOTOR CIRCUIT PROTECTOR
 - MCR MASTER CONTROL RELAY
 - O/L OVERLOAD RELAY
 - PB PUSHBUTTON
 - PMR PHASE MONITOR RELAY
 - RCD REMOTE CONTROL DEVICE
 - S MAGNETIC CONTACTOR (START)
 - SC SURGE CAPACITOR
 - SEC SEQUENCER
 - SS SELECTOR SWITCH
 - Y MAGNETIC CONTACTOR (STAR)

- ### WIRING
- FACTORY (STANDARD)
 - FACTORY (OPTIONAL)
 - BY INSTALLER

- ### NOTES
- 1 REFER TO RATING LABEL FOR DESIGNED ACCEPTABLE SUPPLY VOLTAGE.
 - 2 REFER TO RATING LABEL FOR CONTROL PANEL RATED HORSEPOWER.
 - 3 REMOVE THIS WIRE WHEN OPTIONAL PMR IS INSTALLED.
 - 4 CONNECTED TO RESPECTIVE NUMBERS WITHIN RELATED CONTROL OPTION.

REV	DESCRIPTION	RM	CAJ	DATE
A	ADDED MCR	DESIGNED BY:	RM	06-26-90

SELECTRIC INC.
UMATILLA, OREGON

SCALE:	DESIGNED BY:	RM	DRAWN BY:	CAJ	DATE:	04-28-90
PUMP CONTROL PANEL (TYPE "PA-3")						
WITH OPTIONS (LA, SC, PMR, & PILOT DEVICES)						

PROJECT: DRAWING NO: SHT NO: REV: 3LS-111-017 OF 1 A