

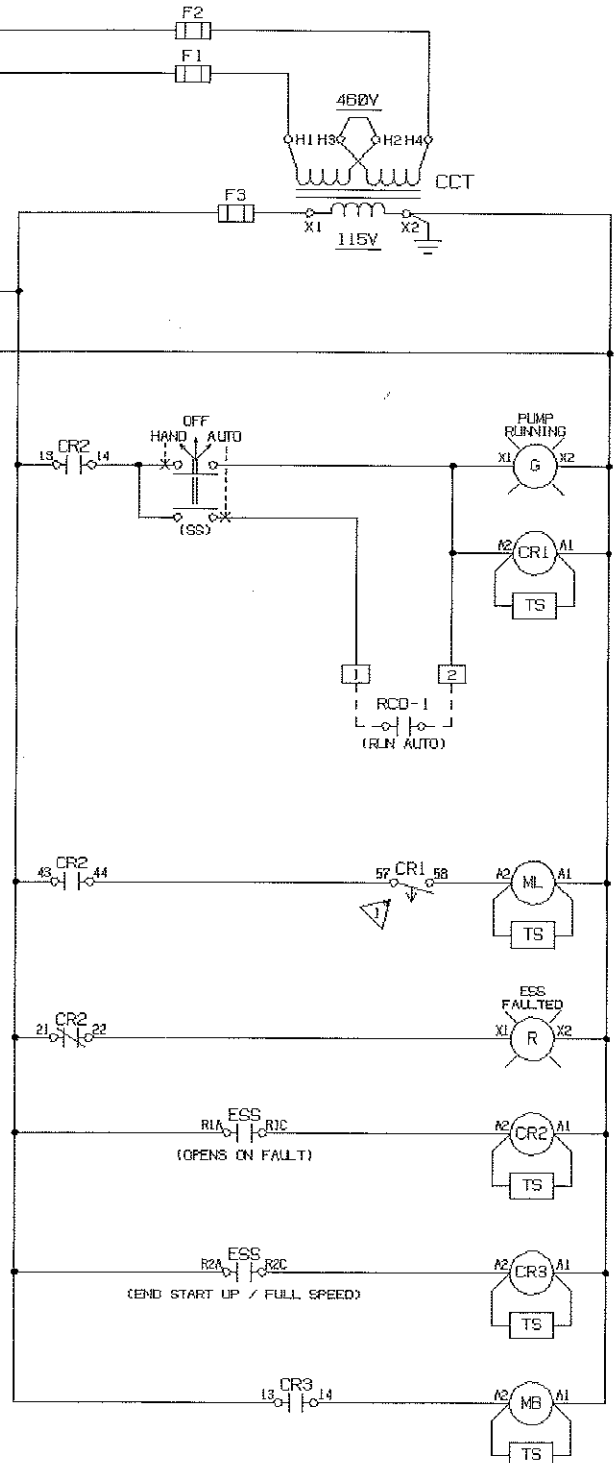
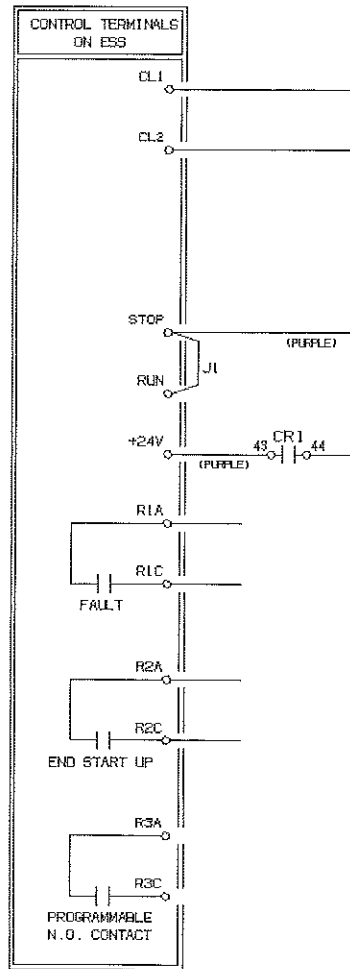
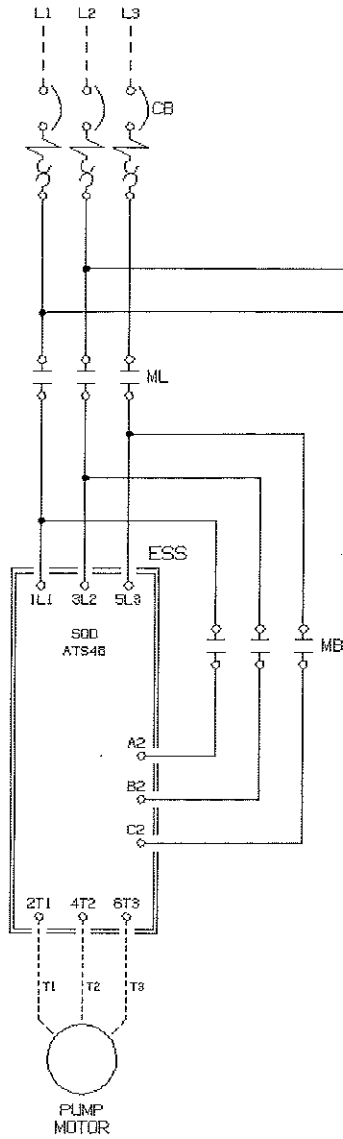
460V-3PH-3W-60HZ

LEGEND

- CB CIRCUIT BREAKER
- CCT CONTROL CIRCUIT TRANSFORMER
- CR CONTROL RELAY
- ESS ELECTRONIC SOFT STARTER
- F FUSE
- J JUMPER
- MB MAGNETIC CONTACTOR (BYPASS)
- ML MAGNETIC CONTACTOR (LINE)
- RCD REMOTE CONTROL DEVICE
- SS SELECTOR SWITCH
- TS TRANSIENT SUPPRESSOR (RC TYPE)

WIRING

— FACTORY
 - - - BY INSTALLER



NOTES

▲ SET TIMER HEAD SLIGHTLY LONGER THAN THE EXPECTED DECELERATION TIME (FROM FULL SPEED TO ZERO SPEED).

PROJECT: _____		SCALE: NONE		DESIGNED: AR		DRAWN BY: BR		DATE: 04-08-08	
SELECTRIC INC.									
UMATILLA, OREGON									
ELECTRONIC SOFT START CONTROL PANEL									
DRAWING NO: 31S-114-009									