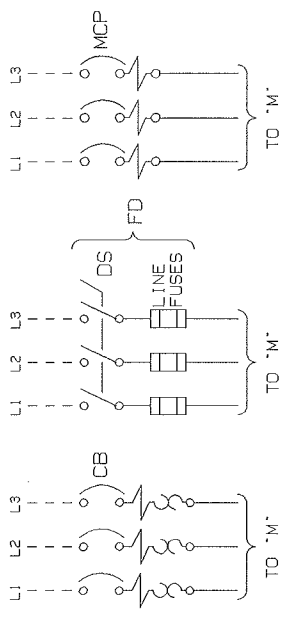
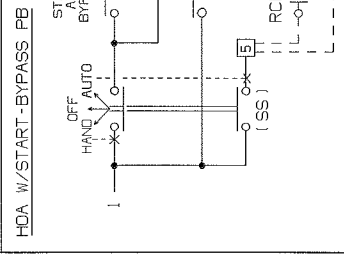


460V (OR 230V) 3PH-3W-60HZ

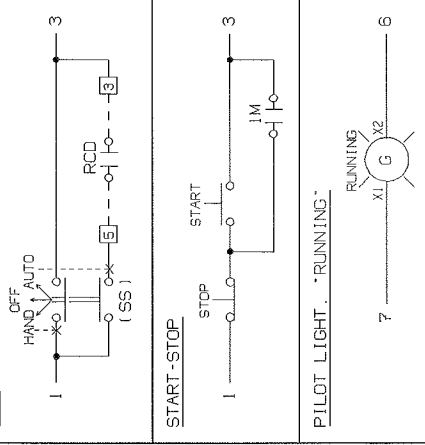


CONTROL OPTIONS



RCD	AUTOMATIC OPERATION
#A	OPEN RCD TO STOP PUMP CLOSE RCD TO RE-START PUMP
#B	OPEN RCD TO STOP PUMP CLOSING RCD WILL NOT RE-START PUMP

HDA

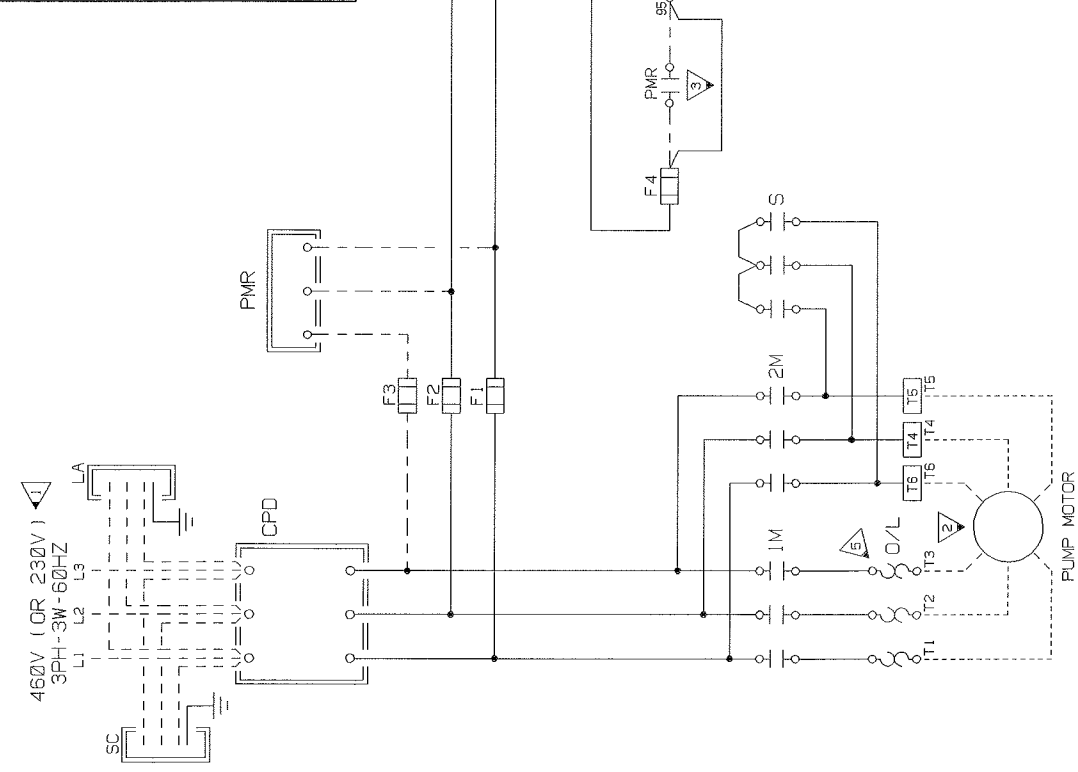


WIRING

- FACTORY (STANDARD)
- - - FACTORY (OPTIONAL)
- · · · · BY INSTALLER

SELECTRIC INC.
UMATILLA, OREGON

SCALE: NONE DESIGNED: RM DRAWN BY: KK DATE: 07-25-97
 PUMP CONTROL PANEL (TYPE "PD-3/...L") WITH TR (TE #RE4-YR12BC) & OPTIONS LA, SC, PMR, & PILOT DEVICES
 PROJECT: DRAWING NO.: SHT NO./REV:
 CUSTOMER: 3LS-113-026 1 OF 1



PRIMARY VOLTAGE	"CCT" PRIMARY JUMPER
460V	H2-H3
230V	H1-H3, H2-H4

LEGEND

- CB CIRCUIT BREAKER
- CCT CONTROL TRANSFORMER
- CPD CIRCUIT PROTECTIVE DEVICE (CB, FD, OR MCP)
- DS DISCONNECT SWITCH
- F FUSE
- FD FUSIBLE DISCONNECT
- LA LIGHTNING ARRESTOR
- M MAGNETIC CONTACTOR
- MCP MOTOR CIRCUIT PROTECTOR
- O/L OVERLOAD RELAY
- PMR PHASE MONITOR RELAY
- RCD REMOTE CONTROL DEVICE
- S STAR CONTACTOR
- SC SELECTOR SWITCH
- TR TRANSITION RELAY

NOTES

- 1 REFER TO RATING LABEL FOR DESIGNED ACCEPTABLE SUPPLY VOLTAGE.
- 2 REFER TO RATING LABEL FOR CONTROL PANEL RATED HORSEPOWER.
- 3 REMOVE THIS WIRE WHEN OPTIONAL PMR IS INSTALLED.
- 4 CONNECTED TO RESPECTIVE NUMBERS WITHIN RELATED CONTROL OPTION.
- 5 SET O/L TO 56% OF MOTOR'S RATED FULL LOAD CURRENT.