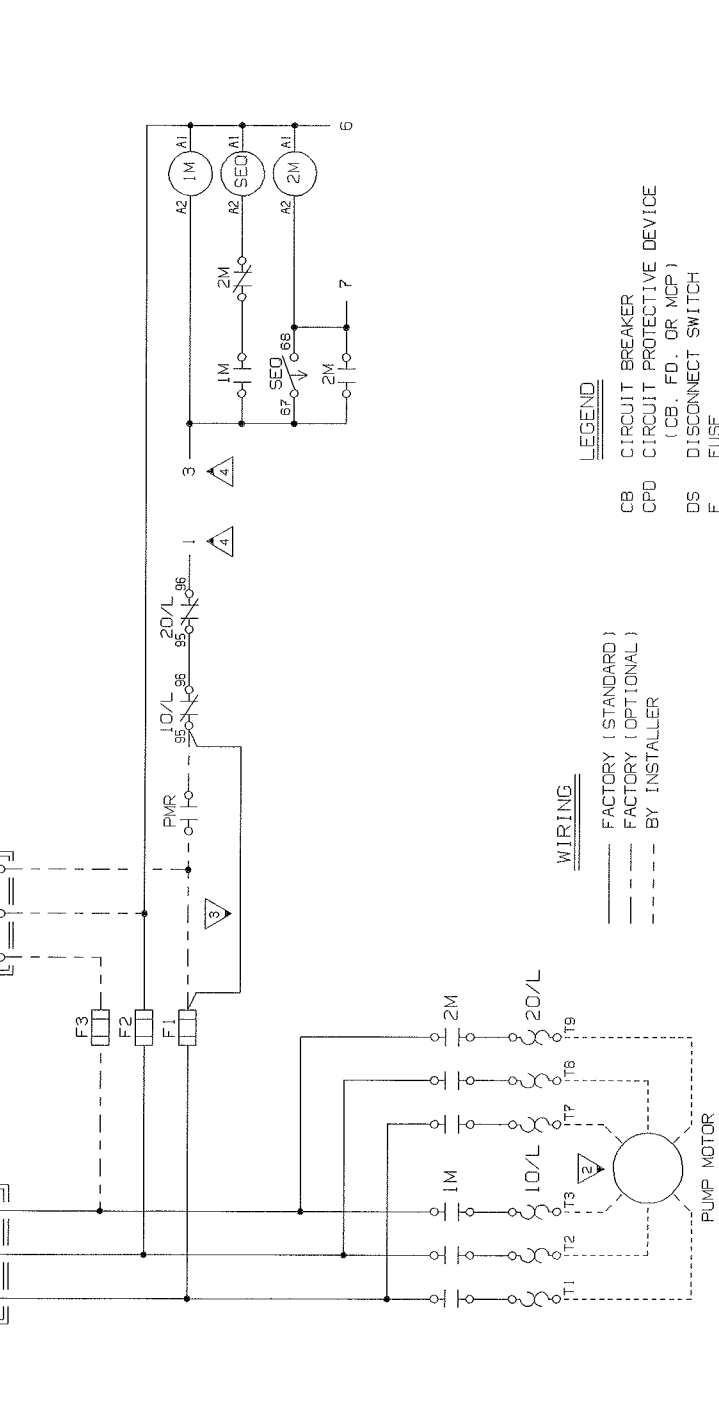
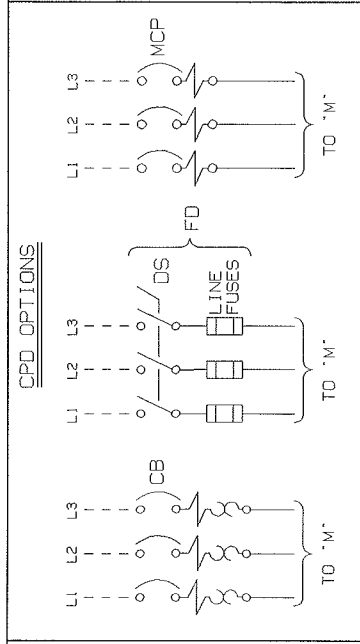
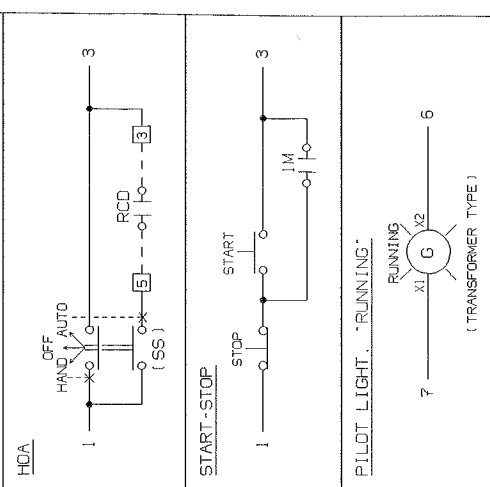


RCD		AUTOMATIC OPERATION	
#A	OPEN RCD TO STOP PUMP CLOSE RCD TO RE-START PUMP		
#B	OPEN RCD TO STOP PUMP CLOSING RCD WILL NOT RE-START PUMP		



- #### NOTES
- 1 REFER TO RATING LABEL FOR DESIGNED ACCEPTABLE SUPPLY VOLTAGE.
 - 2 REFER TO RATING LABEL FOR CONTROL PANEL RATED HORSEPOWER.
 - 3 REMOVE THIS WIRE WHEN OPTIONAL PMR IS INSTALLED.
 - 4 CONNECTED TO RESPECTIVE NUMBERS WITHIN RELATED CONTROL OPTION.

- #### LEGEND
- CB CIRCUIT BREAKER
 - CPD CIRCUIT PROTECTIVE DEVICE (CB, FD, OR MCP)
 - DS DISCONNECT SWITCH
 - F FUSE
 - FD FUSIBLE DISCONNECT
 - LA LIGHTNING ARRESTOR
 - M MAGNETIC CONTACTOR
 - MCP MOTOR CIRCUIT PROTECTOR
 - O/L OVERLOAD RELAY
 - PMR PHASE MONITOR RELAY
 - RCD REMOTE CONTROL DEVICE
 - SC SURGE CAPACITOR
 - SEQ SEQUENCER
 - SS SELECTOR SWITCH

- #### WIRING
- FACTORY (STANDARD)
 - - - - - FACTORY (OPTIONAL)
 - - - - - BY INSTALLER

SELECTRIC INC.

UMATILLA, OREGON

SCALE: NONE	DESIGNED: RM	DRAWN BY: CAJ	DATE: 05-09-90
PUMP CONTROL PANEL (TYPE "PW-3/...-L") WITH OPTIONS (LA, SC, PMR, & PILOT DEVICES)			
PROJECT:	DRAWING NO.:	SHT NO. REV.:	
CUSTOMER:	3LS-112-015	1 OF 1	